

Stainless Steel-Tubular handles

Mounting from the back

SPECIFICATION

Types

- Type **K**: with plastic cover cap
- Type **E**: with Stainless Steel cover cap

Tube Ø 30 x 1.5
Stainless Steel AISI 304
matt shiny finish, ground

Handle shanks
Stainless Steel AISI 304
matt shiny finish, ground

Grub screw DIN 914-M5
Stainless Steel AISI 304

Cover caps

- Type K: Plastic (Polyamide PA), black matt
- Type E: Stainless Steel AISI 304



INFORMATION

Type E of Stainless Steel-Tubular handles GN 666.5 is completely made of A2-Stainless Steel.

ON REQUEST

- Special lengths

TECHNICAL INFORMATION

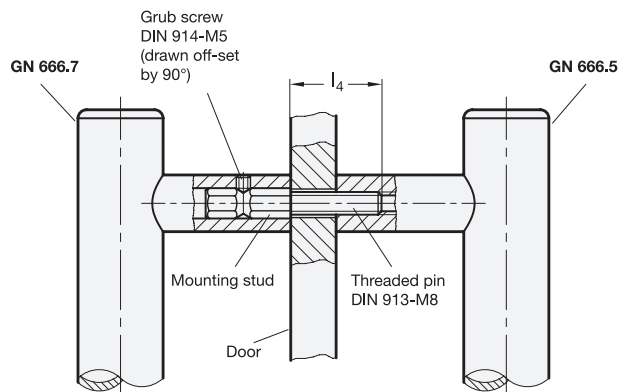
- Stainless Steel characteristics (see page A26)
- Load rating information (see page A35)

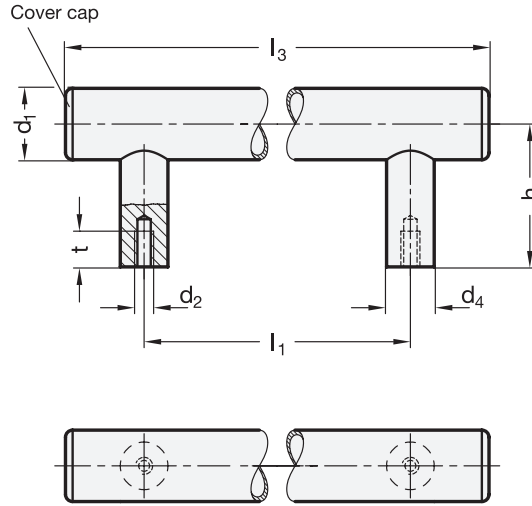
EXAMPLE OF APPLICATION

Tubular handles GN 666.5 allow the mounting of a pair of handles in opposite position. This method could be used on doors (double handle).

Generally a modification of the thread length l_4 required for this. The included threaded pin DIN 913-M8x25-A2 of mounting stud needs to be replaced by a longer threaded pin, too.

Handles with modified thread length l_4 are available on request.





GN 666.5

STAINLESS STEEL

Description	d1	d2	l1 ±0.5	d4	h	l3	l4	t min.	⚖
GN 666.5-30-M6-200-E	30	M 6	200	20	60	265	15	15	600
GN 666.5-30-M6-250-E	30	M 6	250	20	60	315	15	15	616
GN 666.5-30-M6-300-E	30	M 6	300	20	60	365	15	15	688
GN 666.5-30-M6-400-E	30	M 6	400	20	60	465	15	15	772
GN 666.5-30-M6-500-E	30	M 6	500	20	60	565	15	15	885
GN 666.5-30-M6-600-E	30	M 6	600	20	60	665	15	15	968
GN 666.5-30-M8-200-E	30	M 8	200	20	60	265	15	15	585
GN 666.5-30-M8-250-E	30	M 8	250	20	60	315	15	15	620
GN 666.5-30-M8-300-E	30	M 8	300	20	60	365	15	15	655
GN 666.5-30-M8-400-E	30	M 8	400	20	60	465	15	15	725
GN 666.5-30-M8-500-E	30	M 8	500	20	60	565	15	15	800
GN 666.5-30-M8-600-E	30	M 8	600	20	60	665	15	15	880
GN 666.5-30-M6-200-K	30	M 6	200	20	60	265	15	15	490
GN 666.5-30-M6-250-K	30	M 6	250	20	60	315	15	15	540
GN 666.5-30-M6-300-K	30	M 6	300	20	60	365	15	15	589
GN 666.5-30-M6-400-K	30	M 6	400	20	60	465	15	15	707
GN 666.5-30-M6-500-K	30	M 6	500	20	60	565	15	15	800
GN 666.5-30-M6-600-K	30	M 6	600	20	60	665	15	15	880
GN 666.5-30-M8-200-K	30	M 8	200	20	60	265	15	15	500
GN 666.5-30-M8-250-K	30	M 8	250	20	60	315	15	15	580
GN 666.5-30-M8-300-K	30	M 8	300	20	60	365	15	15	640
GN 666.5-30-M8-400-K	30	M 8	400	20	60	465	15	15	720
GN 666.5-30-M8-500-K	30	M 8	500	20	60	565	15	15	800
GN 666.5-30-M8-600-K	30	M 8	600	20	60	665	15	15	880

